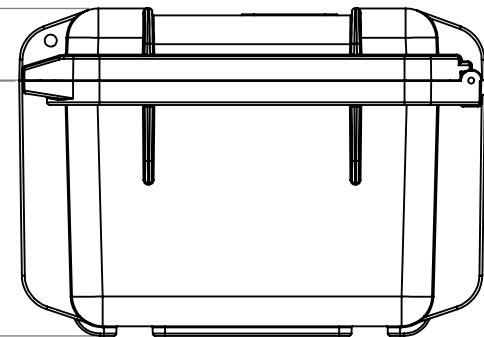


1.50"
(1.19")

5.31"
(4.94")



3i-0907-6

NOTE: DIMENSIONS IN (X.XX) ARE ID



434 West Levers Place
Orange, CA 92867
Phone: (714) 637-1252
Fax: (714) 637-0491
<http://www.skbcases.com>

This drawing and all information details are the sole property of SKB Corporation, Orange CA. Any unauthorized use will be punished to the full extent of the law.

Case Series:	3i Series				Dimensions (for reference only)			
	Case part#	3i-0907-6		Length	Width	Overall	Base / Lid	
Weight:	2.75 LBS EMPTY		left to right	front to back	height	height	height	
Exterior			10.68"	9.69"	6.82"	5.31"-1.50"		
Interior			9.38"	7.38"	6.13"	4.94"-1.19"		

5

4

3

2

1